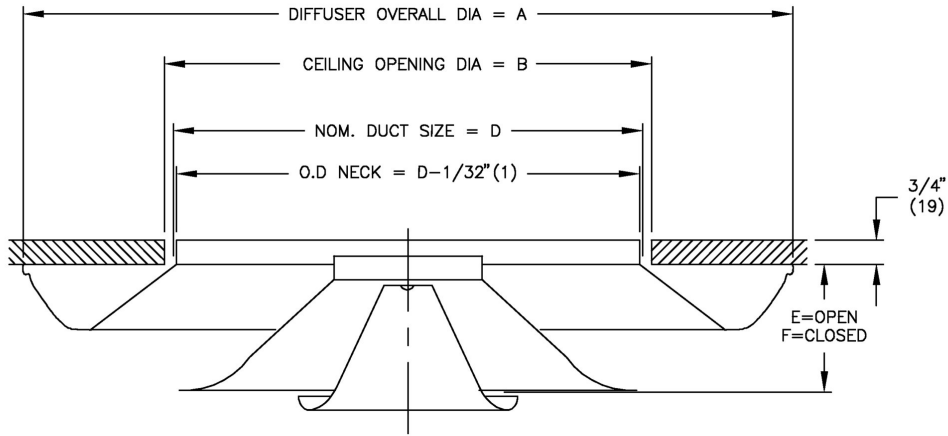
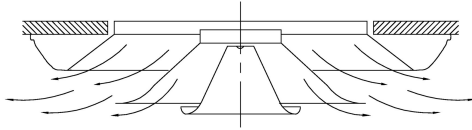


RCDE Steel Round Cone Diffuser, Horizontal 2 Position Adjustable



Detail View:



Notes:

- Horizontal pattern, two position adjustment
- Tool free removal of inner cone
- Factory Tolerance: ± 1/32" (1)

Material:

- Heavy Gauge Spun Steel

Finish:

- B12: Standard White

Dimensions- inches					
Inlet Size	A	B	D	E	F
6	11 1/8	6 1/2	6	1 3/4	1 1/8

PROJECT:
ENGINEER:
DESCRIPTION: Round Cone Diffuser-2 Pos Horizontal Adjust,Steel
 RCDE//V6//////////B12

SUBMITTAL NO: 260761-A
CUSTOMER:

SUBMITTAL DATE: 6/24/2020